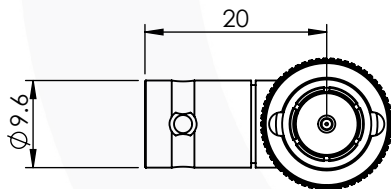
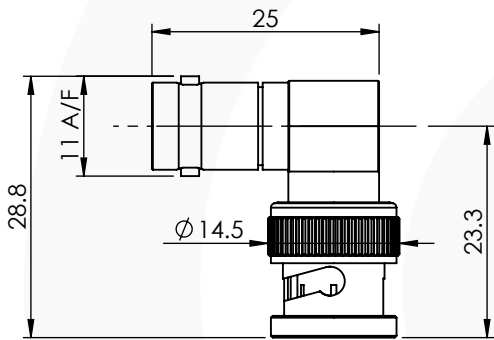


BNC RIGHT ANGLED JACK TO PLUG ADAPTOR (6G)

10-520-W66



images for illustration purposes only



Environmental Specification

Operating Temp: -55 to +155 Deg C.
IP Rating (Mated): IP 44

Electrical Specification

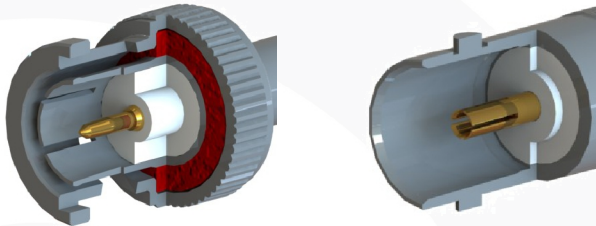
Impedance: 75 Ohm
Frequency: 0-12 GHz
Dielectric W/V: 1500 Veff
Insulation res: 5000 M-Ohm

Mechanical Specification

Contact Retention: 22 N min
Cable Retention: Not Applicable
Mating cycles: 500
Weight: 21.05 g

Connector Interface

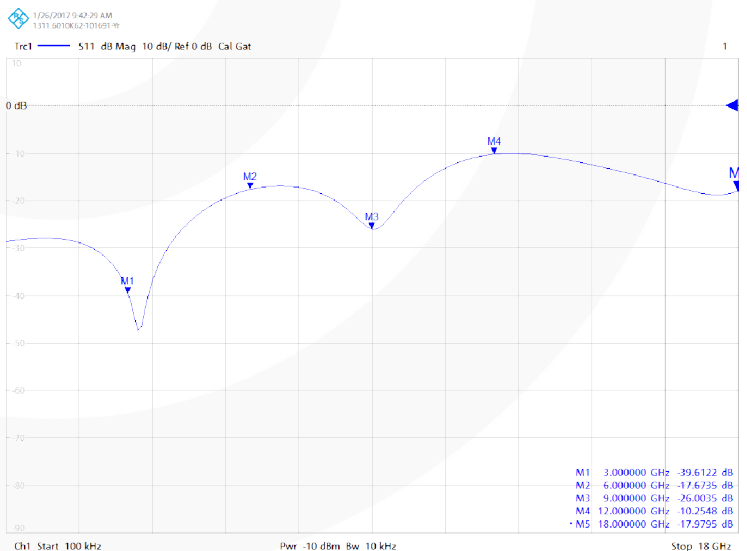
image for illustration purposes only



Performance

- 39.61 dB @ 3.0 GHz
- 17.67 dB @ 6.0 GHz
- 26.00 dB @ 9.0 GHz
- 10.26 dB @ 12.0 GHz

Return Loss Graph



9	WASHER	BRASS	GOLD
8	END CAP	BRASS	GOLD
7	WASHER	SK5	NICKEL
6	COUPLING NUT	BRASS	BLACK NICKEL
5	GASKET	SILICONE	N/A
4	OUTER CONTACT	BRASS	GOLD
3	INSULATOR	PTFE	N/A
2	CENTRE CONTACT	BERYLLIUM COPPER	GOLD
1	BODIES	BRASS	GOLD
ITEM	DESCRIPTION	MATERIAL	PLATING

A4	SHEET 1 OF 1	DIMENSIONS ARE IN MILLIMETRES		
REVISION :	A04	NAME	SIGNATURE	DATE
ISSUE :	2	DRAWN	GE	19/11/13
		CHK'D	IG	19/11/13
		APP'V'D		
6-8 COLNE ROAD, TWICKENHAM, MIDDLESEX. TW1 4JR				
<small>THE INFORMATION IS GIVEN AS AN INDICATION ONLY AND IS SUBJECT TO CHANGE WITHOUT NOTICE. IN THE CONTINUAL GOAL TO IMPROVE OUR PRODUCTS, WE RESERVE THE RIGHT TO MAKE ANY MODIFICATIONS NECESSARY WITHOUT PRIOR NOTICE.</small>				