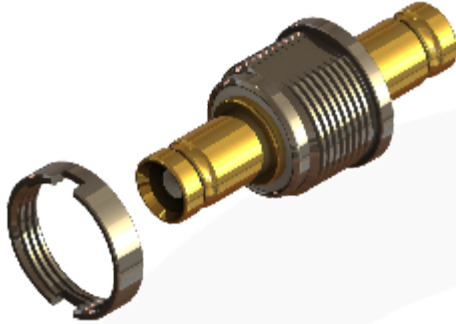
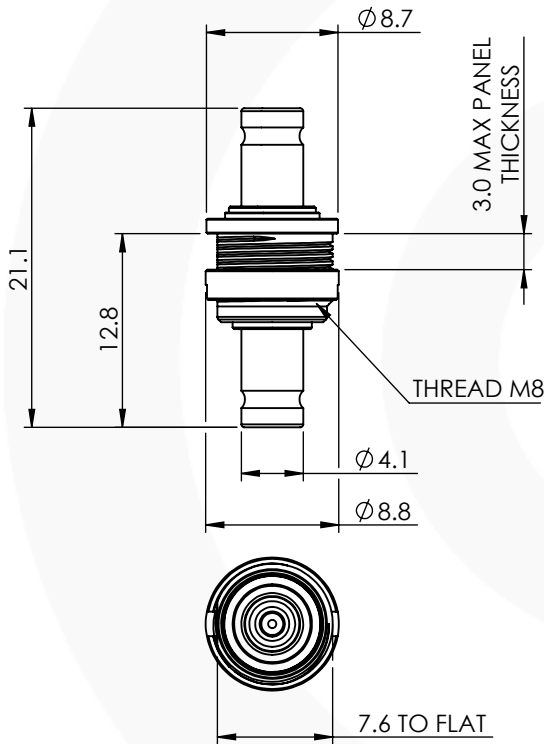


DIN 1.0/2.3 INSULATED BULKHEAD JACK TO JACK ADAPTOR TRUE 75 Ohm

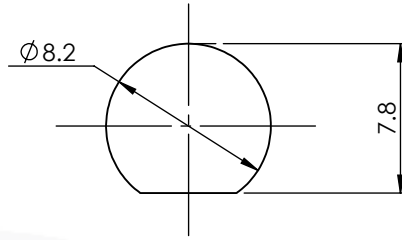
52-503-D66



images for illustration purposes only



Recommended Mounting:



Environmental Specification

Operating Temp: -55 to +155 Deg C.

IP Rating (Mated): IP 40

Electrical Specification

Impedance: 75 Ohm

Frequency: 0-6 GHz

Dielectric W/V: 750 Veff

Insulation res: 1000 M-Ohm

Mechanical Specification

Contact Retention: 20 N min

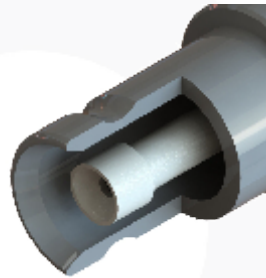
Cable Retention: Not Applicable

Mating cycles: 250

Weight: 2.86 g

Connector Interface

image for illustration purposes only



5	OUTER BODY	BRASS	NICKEL
4	NUT	BRASS	NICKEL
3	INSULATOR	PTFE	N/A
2	CENTRE CONTACT	BERYLLIUM COPPER	GOLD
1	BODY	BRASS	GOLD
ITEM	DESCRIPTION	MATERIAL	PLATING

A4	SHEET 1 OF 1	DIMENSIONS ARE IN MILLIMETRES		
REVISION :	B00	NAME	SIGNATURE	DATE
ISSUE :	2	DRAWN	GE	02/11/15
		CHK'D	IG	02/11/15
		APPV'D		
6-8 COLNE ROAD, TWICKENHAM, MIDDLESEX. TW1 4JR				
<small>THE INFORMATION IS GIVEN AS AN INDICATION ONLY AND IS SUBJECT TO CHANGE WITHOUT NOTICE. IN THE CONTINUAL GOAL TO IMPROVE OUR PRODUCTS, WE RESERVE THE RIGHT TO MAKE ANY MODIFICATIONS NECESSARY WITHOUT PRIOR NOTICE.</small>				