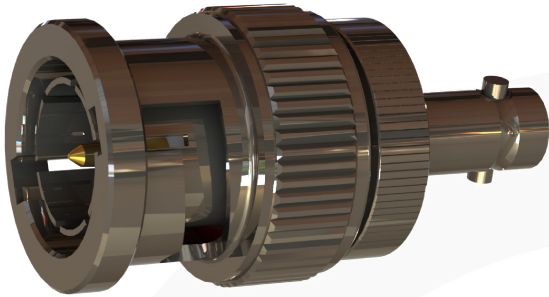
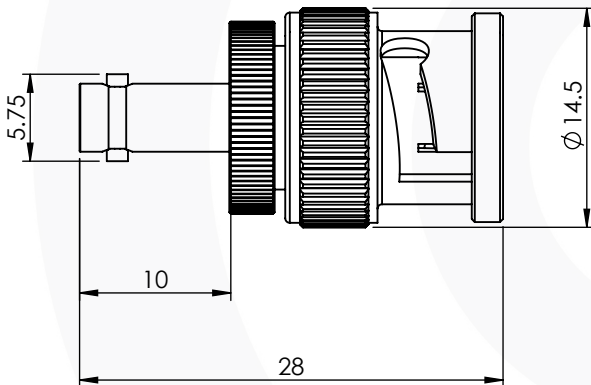


## MICRO BNC STRAIGHT JACK TO BNC PLUG ADAPTOR 74-1067-511



images for illustration purposes only



### Suitable for Cables:

N/A

### Environmental Specification

Operating Temp: -55 to +155 Deg C.

IP Rating (Mated): IP 64

### Electrical Specification    Mechanical Specification

Impedance: 75 Ohm

Contact Retention: 10 N min

Frequency: 0-6.0 GHz

Cable Retention: N/A

Dielectric W/V: 1500 Veff

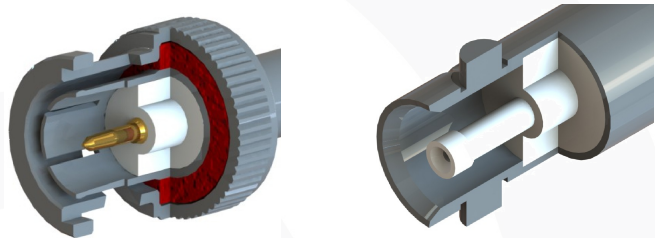
Mating cycles: 500

Insulation res: 5000 M-Ohm

Weight: 11.81 g

### Connector Interface

image for illustration purposes only



6	WASHERS	SK5	NICKEL
5	COUPLING NUT	ZINC	NICKEL
4	GASKET	SILICONE	N/A
3	INSULATOR	PTFE	N/A
2	CENTRE CONTACT	BERYLLIUM COPPER	GOLD
1	BODY	BRASS	NICKEL
ITEM	DESCRIPTION	MATERIAL	PLATING

<b>A4</b>	SHEET 1 OF 1	DIMENSIONS ARE IN MILLIMETRES		
REVISION :	B00	NAME	SIGNATURE	DATE
ISSUE :	0	DRAWN	IG	21/07/2015
		CHK'D	GE	22/07/2015
		APPV'D		
<b>6-8 COLNE ROAD, TWICKENHAM, MIDDLESEX. TW1 4JR</b>				
<small>THE INFORMATION IS GIVEN AS AN INDICATION ONLY AND IS SUBJECT TO CHANGE WITHOUT NOTICE. IN THE CONTINUAL GOAL TO IMPROVE OUR PRODUCTS, WE RESERVE THE RIGHT TO MAKE ANY MODIFICATIONS NECESSARY WITHOUT PRIOR NOTICE.</small>				