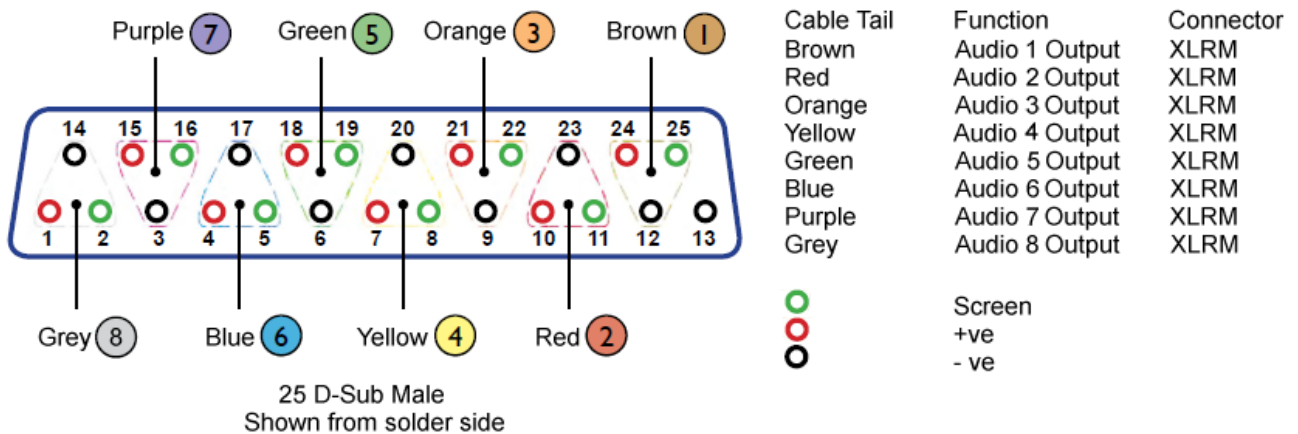


38-8111 CANFORD D-SUB BREAKOUT CABLE 25 pin male to 8x XLR male, 3m



Suitable for Analogue audio output this cable assembly is wired to the Tascam DTRS convention. Belden 7880A low-capacitance, individually screened, 110 Ohm eight-pair cable used. The D-sub 25-pin male connector has a metal-body and sensibly-sized thumb-screws.

Wiring Convention:



Approx. Dimensions:

