



DNH

DH-30

HEAD OFFICE, NORWAY
DNH AS

Phone..... + 47 35 98 56 00
Fax..... + 47 35 98 56 10
E-mail..... dnh@dnh.no
Web-Site..... www.dnh.no

ENGLAND
DNH WW Ltd

Phone..... + 44 1908 275 000
Fax..... + 44 1908 275 100
E-mail..... dnh@dnh.co.uk

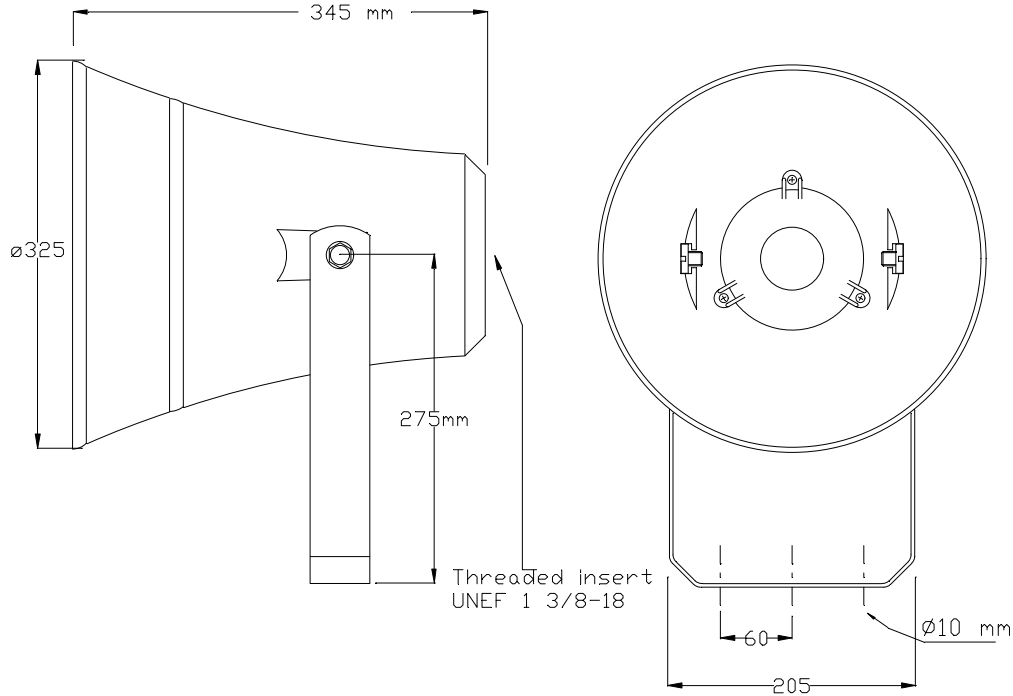
GERMANY
DNH GmbH

Phone... + 49 040 6569 30-0
Fax..... + 49 040 6569 30-30
E-mail..... dnh@dnh.de

USA
DNH Speakers Inc

Phone..... + 1 484 494 5790
Fax..... + 1 484 494 5793
E-mail..... dnh@dnhspeakers.com

ISO 9001 CERTIFIED



Sound pressure levels at 1W/1m with DS-100 driver

SPL vs Freq



Specifications

Material / Color	Fiberglass laminated polyester / RAL 7035
Mounting Termination	Bracket
Weight w/transformer	3,6 kg
IP-rating	
Max. / min. amb. temp	
Rated / max. power	
SPL 1W/1m	
SPL rated power	
Effective freq. range	
Dispersion (-6dB) 1kHz / 4kHz	
Directivity factor, Q	
Options	Impedances, colors, labels

Installation, Operation and Maintenance Procedures

- Screw a suitable driver unit (DUP-40 / DST-100) into the threaded insert (1 3/8-18).
- Use enclosed gasket to achieve max fit.
- Fasten bracket to wall with three screws.
- To change the position of the horn, please adjust the bracket (by loosening / tightening the screws) as required.
- This horn is supplied with a two years warranty against defective materials and workmanship.

DNH reserves the right to alter specifications without notice

