



## HDMI 2.1 48Gbps Audio De-embedder 500514

### Overview

The HDMI 2.1 48Gbps Audio De-Embedder (model: 500514) can extract audio signals from an HDMI source or ARC-compatible TV and send them to an analog stereo audio output and an S/PDIF digital audio output. It supports data rates up to 48Gbps to comply with HDMI 2.1 and HDCP 2.3 requirements. In addition, the unit allows the HDMI source to be looped out and extended to a local display; it also includes several features to facilitate integration such as EDID management and cable equalization providing an easy solution for HDMI installations to send audio signals to a stereo audio or surround sound system.

### Applications

- Home Entertainment Systems
- Gaming Setups
- Professional AV Installations
- Digital Signage
- Educational Institutions
- Boardroom Systems

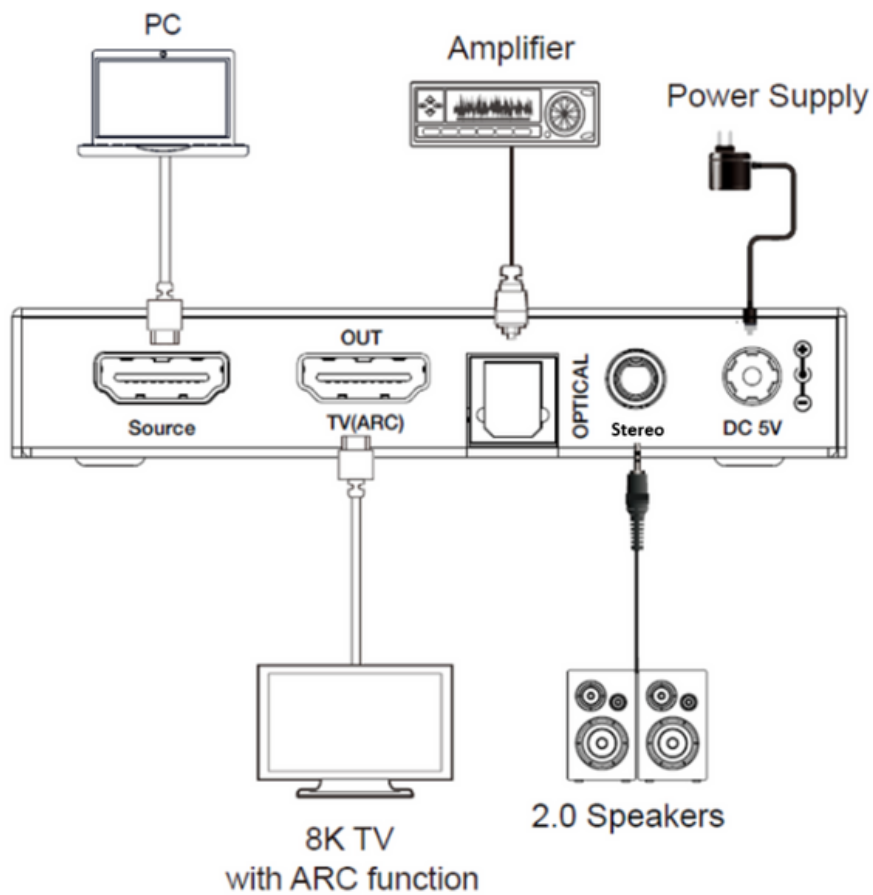
### Key Features

- HDMI 2.1 and HDCP 2.3 compliant
- Supports 48Gbps FRL and 18Gbps TMDS video bandwidth
- Supports video resolution up to 8K/60Hz 4:2:0 12bit, 4K/120Hz 4:4:4 12bit
- HDMI 2.1 protocols: VRR, ALLM, QMS, QFT, SBTM are supported
- Support HDR, HDR 10, HDR 10+, Dolby Vision, HLG pass-through
- LPCM 7.1CH, Dolby True HD, Atmos and DTS-HD Master, DTS:X Audio pass-through
- HDMI input audio or TV ARC audio de-embedded to S/PDIF and L/R audio output
- Support CEC control from output devices to input sources
- Advanced EDID management
- Compact design for easy and flexible installation

# Specification

Technical	
HDMI Compliance	HDMI 2.1
HDCP Compliance	HDCP 2.3
Video Bandwidth	48Gbps FRL and 18Gbps TMDS
Video Resolution	Up to 8K/60Hz 4:2:0 12bit, 4K/120Hz 4:4:4 12bit
Color Depth	8/10/12 - bit
Color Space	RGB, YCbCr_4:4:4, YCbCr_4:2:2, YCbCr_4:2:0
Audio Formats	<b>HDMI IN/OUT:</b> LPCM, Dolby Digital/Plus/EX, Dolby True HD, Dolby Atmos, DTS, DTS-EX, DTS-96/24, DTS High Res, DTS-HD Master Audio, DSD <b>AUDIO BREAKOUT:</b> OPTICAL OUT: PCM 2.0CH, Dolby, DTS 5.1CH L/R OUT: PCM 2.0CH
HDR	HDR, HDR 10, HDR 10+, Dolby Vision, HLG
ESD Protection	Human body model — ±8kV (Air-gap discharge) & ±4kV (Contact discharge)
Connection	
Input	1 × Source IN [HDMI Type A, 19-pin female]
Output	1 × TV(ARC) OUT [HDMI Type A, 19-pin female] 1 × L/R [3.5mm Stereo mini-jack] 1 × OPTICAL [S/PDIF, female]
Control	1 × SERVICE [USB Type C, Update port]
Mechanical	
Housing	Metal Enclosure
Color	Black
Dimensions	95mm [W] × 68mm [D] × 18mm [H]
Weight	178g
Power Supply	Input: 100-240VAC 50/60Hz, Output: 5VDC/1A (US/EU standards, CE/FCC/UL certified)
Power Consumption	4W (Max)
Operation Temperature	0°C ~ 40°C / 32°F ~ 104°F
Storage Temperature	-20°C ~ 60°C / -4°F ~ 140°F
Relative Humidity	20~90% RH (non-condensing)
Generic Specification	
Warranty	2 years
Order Information	500514 HDMI 2.1 48Gbps 1x4 Splitter (UPC: 627699005149)

# Application Example



48Gbps HDMI Audio De-embedder  
500514

Follow us:    

2321 Cohen | St-Laurent , H4R 2N7 | Québec, Canada Tel: 514-905-0588 | Fax:  
514-905-0589 | Toll free: 1-877-689-5228 info@muxlab.com |  
salesteam@muxlab.com | www.muxlab.com