

SC6-L

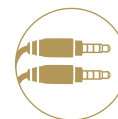
MOBILE INTERFACE FOR APPLE DEVICES



DESIGNED FOR
APPLE DEVICES



HEADPHONE
OUTPUT JACK



DUAL TRRS
CONNECTION

The SC6-L Mobile Interface allows you to record broadcast-quality 2-person interviews on your Apple® device anywhere, anytime.

2 x 3.5mm TRRS Microphone Inputs
for Lightning connection

3.5mm Headphone Output

Pairs with RØDE Reporter App

App allows configuration of:

Record Mode (Stereo/Separate)

Direct Monitoring on/off

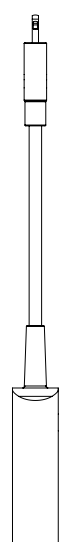
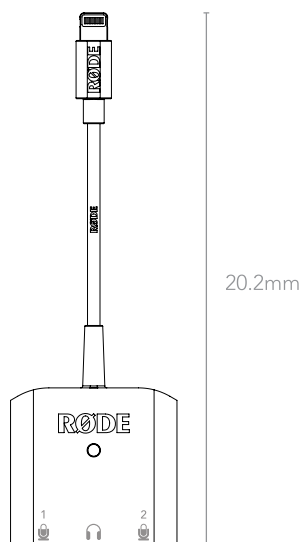
Mic Pre gain



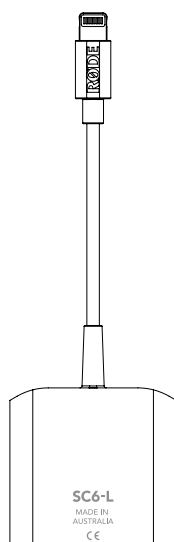
Front view

Side view

Back view



11mm



40mm



SPECIFICATIONS

Acoustic Principle:	n/a
Active Electronics:	n/a
Polar Pattern:	n/a
Frequency Response:	20Hz - 20 kHz
Signal to noise Ratio:	n/a
Equivalent Noise:	n/a
Maximum SPL:	n/a
Power Requirement:	n/a
Output Connection:	3.5mm Headphone Output
Analog Outputs:	3.5mm TRS Headphone Output
Computer Connectivity:	Lightning (iPhone/iPad/iPod)
Simultaneous I/O:	2/2
Bit Depth:	24-bit
Sample Rates:	44.1/48 kHz
Direct Monitor:	Yes
Bus Powered:	Yes
OS Requirements:	iOS 11 and higher
Material:	PC and ABS Plastic
Colour:	Black
Weight:	16g
Packed Weight:	52g

Made for
iPhone | iPad | iPod

IN THE BOX

(1) SC6-L