

Real-world testing

Cyclone is the most advanced all-round system available for wind and shock isolation.

We understand though that all the engineering expertise in the world wouldn't mean a thing if the finished product couldn't stand-up to the challenges of real-world location recording.

Cyclone prototypes were sent out to location sound professionals for testing, and we would like to extend our special thanks to all those professionals that put the Cyclone through the harshest test imaginable - the real world.

Rycote - On Location

Our customers are certainly involved with some amazing projects and use Rycote products out in the field every day. Read about their experiences, tips and tricks.

www.rycote.com/on-location



Top & bottom photo: Home of the Blizzard - Philip Samartzis - Cyclone Medium



 **Rycote**[®] | Trusted by Professionals

www.rycote.com

05/2017

Rycote Microphone Windshields Ltd

Libby's Drive, Slad Road, Stroud, Gloucestershire, GL5 1RN, UK
Email: tech_support@rycote.com · Tel: +44 (0) 1453 759338

FOLLOW US ON:



*Microphones & boom poles shown for illustration purposes only.

For more information please scan the QR code or visit: <http://rycote.com/microphone-windshield-shock-mount/cyclone>

 **Cyclone**

Quick. Clear. Consistent.



Overview

The Cyclone range, featuring next-generation wind and handling isolation for discerning audio professionals.

The premium microphone windshield system with ground-breaking advancements for all-round performance excellence.

Superb Acoustic Transparency

Open shell structure design with curved contours and no straight or parallel surfaces – greatly reduces room-tone effects.

Even Greater Wind Protection

Aerodynamically efficient asymmetric basket covered with our advanced 3D-TeX® material provides enormous benefits in terms of surface turbulence and delivers superb wind-noise reduction.

From Windshield to Suspension in the blink of an eye

The windshield basket design uses a magnetic Z-Locking System that can be opened and closed using just one hand. Reassembly allows the windshield sides to snap into perfect alignment.

Taking shock-isolation a step further – Multi Suspension design

The Rycote industry-leading Lyre® microphone suspension reduces the bulk of shock and handling noise, with further shock and handling isolation provided by the Floating Basket Suspension (Pat. Pending). The Lyre principle is also incorporated within the Floating Basket Suspension for vibration isolation between basket and pole.

Consistent performance with low maintenance

Location sound mixers require equipment that will not only withstand extreme conditions, but also maintain consistent performance. 3D-TeX was developed for both outstanding performance and ease of maintenance.



The Cyclone family - with new, smaller lighter models

All Cyclone models feature our 3D-TeX® material providing excellent acoustic transparency, superb wind-noise attenuation and a neutral appearance.



Cyclone Small models

Cyclone Small delivers outstanding performance for small diaphragm condenser and short shotgun microphones alike. An Offset Link bracket is included, to provide mic axis articulation if required for ideal microphone placement. Short XLR, LEMO and MZL models are available making Cyclone Small perfect for popular mics like the Sennheiser MKH 50 & 8000 series, as well as Schoeps CMC and MiniCMIT.*

Cyclone Medium

With our premium short XLR, the Cyclone Medium fits a wide range of microphone sizes. This Cyclone family member accommodates not only short shotgun microphones but also many popular shotgun mics – making Cyclone Medium ideal for mics such as the Sennheiser MKH 416, Schoeps CMIT 5U, and Sanken CS-1.*

Cyclone Large

Cyclone Large maintains industry-leading performance and is perfect for longer shotgun microphones such as the Sennheiser MKH 60 and the Schoeps Super CMIT.*

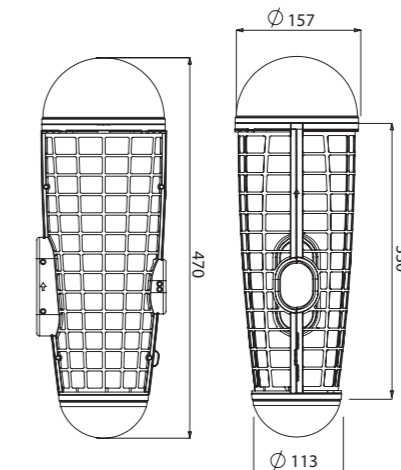
Optional Accessories

Cyclone Windjammer, Large (029101) Extension handle (037301)
 Cyclone Windjammer, Medium (029102) Cyclone w/TacT cable, XLR-3f (017034)
 Cyclone Windjammer, Small (029103)

*See 'Basket Dimensions and Microphone Compatibility' chart.

BASKET DIMENSIONS & MICROPHONE COMPATIBILITY

CYCLONE KIT, LARGE



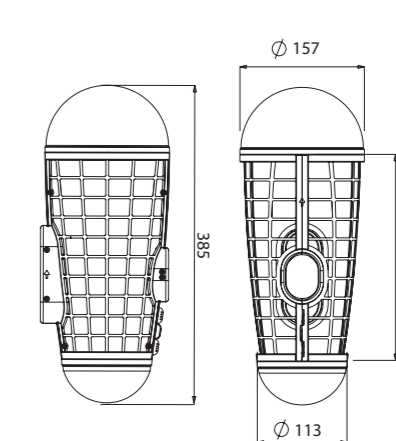
Cyclone Kit, Large - 089101

Rode NTG-2, NTG-4+
 Sanken CS-3e
 Schoeps Super CMIT
 Sennheiser MKH 60

Input Connectors:

Cyclone Kit, Large - standard XLR-3f
 Cyclone Kits, Small (XLR) & Medium - reduced XLR-3f
 Cyclone Kit, Small (LEMO) - Lemo FVN

CYCLONE KIT, MEDIUM

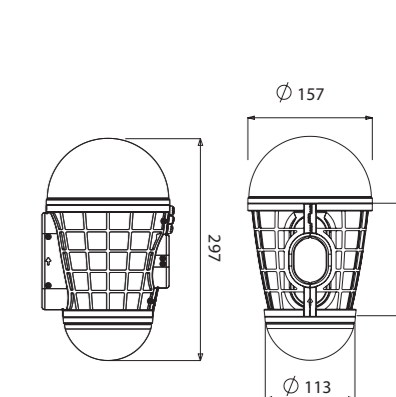


Cyclone Kit, Medium - 089102

DPA 4017B, 4018A
 Neumann KMR 81i, KMR 81D
 Rode NTG-3, NTG-4
 Sanken CS-1, CS-2
 Schoeps CMC w/Cut 1, CMIT 5U,
 CMC w/Cut 60
 Sennheiser MKH 416, MKH 8060 w/MZF

*Our recommendation for the Sennheiser MKH8040/8050 is the Cyclone Small (XLR) model, based on the use of the Sennheiser MZX (XLR module) with these microphones.

CYCLONE KIT, SMALL



Cyclone Kit, Small (XLR) - 089103

DPA 4017C, 4018C
 Neumann KM 100 series
 Schoeps CMC series, MiniCMIT
 Sennheiser MKH 8040*, MKH 8050*,
 MKH 50

Cyclone Kit, Small (LEMO) - 089104

Schoeps CCM series

Cyclone Kit, Small (MZL) - 089105

Sennheiser MKH 8060