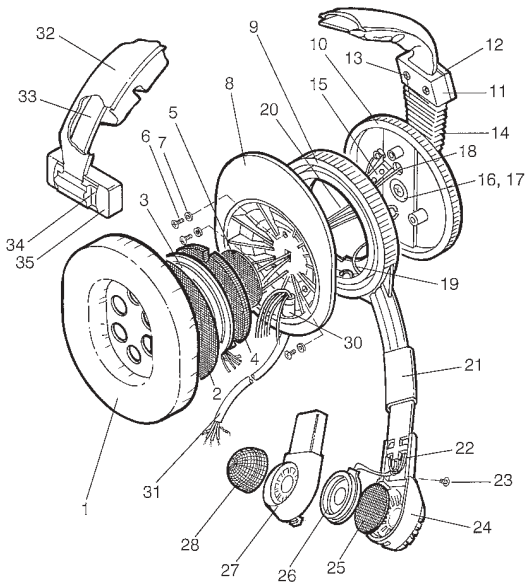


CANFORD HEADPHONE AND HEADSET SPARE PARTS

Spares for DMH320, DMH325 and SMH310

Ref. on



Drawing Description

Ref. on	Description	Code
1	Earpad (DMH320, DMH325)	27-850
1	Earpad (SMH310)	27-851
2	Dust Protector	27-852
3	Ear loudspeaker	27-853
4	Foam pad	27-854
5	Felt pad (35mm)	27-856
6	Screw KB3.5x8	27-857
7	Washer 4.3mm	27-858
8	Housing, inner part, left	27-859
9	Microphone boom	27-860
10	Housing, outer part, left	27-861
11	Headband holder, inner part	27-808
12	Headband holder, outer part	27-807
13	Screw, M2.2x9.5	27-809
14	Bellows	27-813
15	Microswitch	27-862
16	Sliding part, headband	27-816
17	Washer	27-817
18	Cable, earphone	27-812
19	Cable, microphone	27-863
20	Cable, microswitch	27-864
21	Mic housing sleeve	27-823
22	Wire insert, mic boom	27-865
23	Screw, M2.2x6.5	27-810
24	Mic housing, lower part	27-821
25	Felt washer	27-825
26	Dynamic mic element (DMH320, SMH310)	27-868
26	Condenser mic element, complete (DMH325)	27-869
27	Mic housing, upper part	27-822
28	Foam windshield, complete	27-824
30	Brass ring	27-804
32	Headband (DMH320, 325)	27-831
32	Headband (SMH310)	27-833
33	Raw steel bow (DMH320, 325)	27-836
33	Raw steel bow (SMH310)	27-030
34	Holder for temple pad (SMH310)	27-820
35	Temple pad (SMH310)	27-848
-	Housing, right (DMH320, 325)	27-847
-	Cable (without plug)	27-826